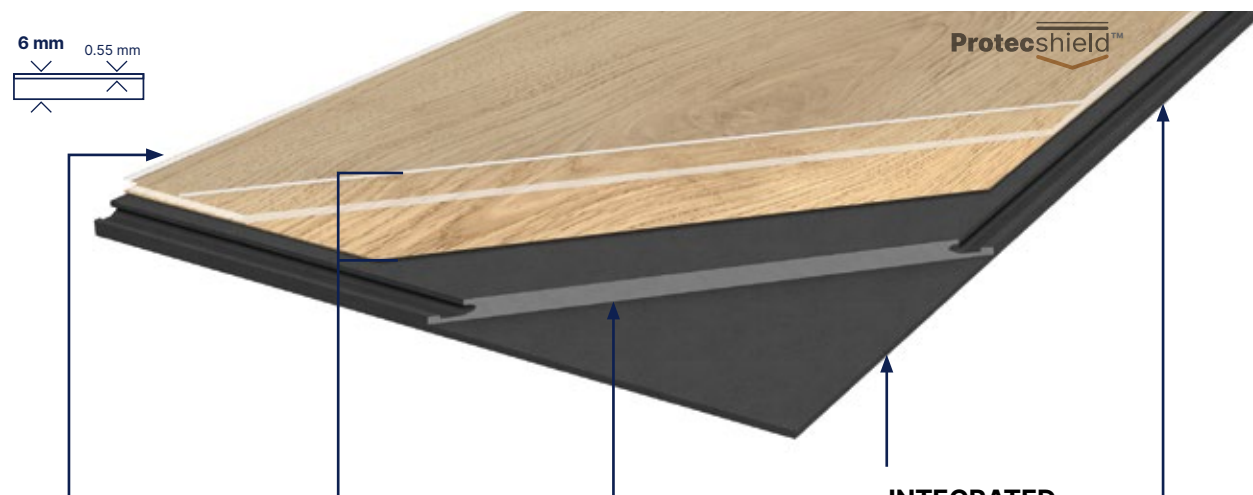


# Creation 55 Rigid Acoustic

Formats (mm) 178x1219 228x1500 457x914



## PROTECSHIELD™

### ENHANCED PERFORMANCES



### ULTRA MATT SURFACE



## 4D DESIGN

### CRYSTAL WEAR LAYER



### HIGH DEFINITION PRINTED FILM



### STRUCTURED EMBOSS



### BEVELLED EDGES



## RIGID CORE TECHNOLOGY



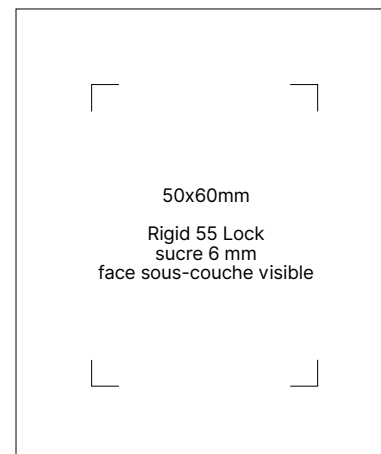
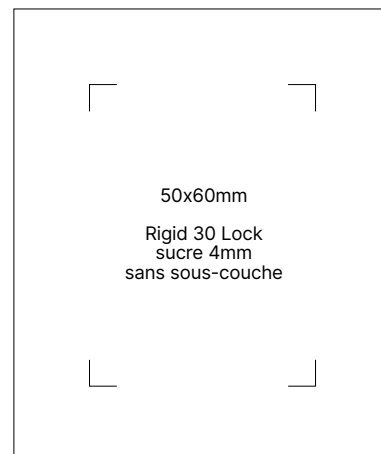
## INTEGRATED ACOUSTIC UNDERLAY

### ACOUSTIC UNDERLAYER



## INTERLOCKING SYSTEM

### ANGLE TO ANGLE LOCKING SYSTEM



100% REACH  
PHTHALATE FREE



UP TO 35% RECYCLED CONTENT



TVOC EMISSIONS BELOW  
DETECTION LEVEL  
(TVOC < 10µg/m³ after 28 days)  
NO FORMALDEHYDE

Refer to Gerflor installation guidelines on gerflor.ae

MORE  
DETAILS



INTERIOR  
DESIGNER



Class 33

## PACKAGING

Format (mm) m²/box box/pallet m²/pallet

Format (mm)	m²/box	box/pallet	m²/pallet
178 x 1219	1.51	64	97.11
228 x 1500	2.05	48	98.50
457 x 914	2.50	38	95.32

More details on gerflor.ae  
Non contractual imagery  
The embossing of the samples  
can differ from the final product.

Protecshield™



# The only Saudy made Rigid LVT



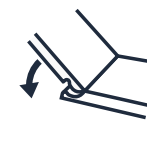
LVT is produced in  
Saudi Arabia, Dammam  
2<sup>nd</sup> Industrial city



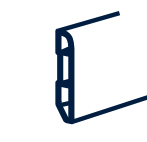
The region's first LVT  
manufacturer



Exclusive designs  
Emboss in register (EIR)



Lock system



Complete solution  
Underlayers, matting,  
matching skirtings and  
coverstrips



Charming Oak Grey